

Mazda CX-5 Installation Guide PNs 11968, 11969



******* Please compare the parts in the box with the bill of materials provided *****
(view the following pages) to assure that you have all the parts necessary for this installation.**

These instructions have been written to help you with the installation of your Borla Performance System. Please read this document completely before beginning the installation of your system.

To ensure this part number fits your specific model year, please visit our website for the latest model year listings at www.BORLA.com

Thank you for purchasing a Borla Performance exhaust system.

These Borla Performance exhaust systems (PNs 11968, 11969) are designed for the Mazda CX-5, equipped with a 2.5L naturally aspirated gasoline engine, and FWD automatic or manual transmission.

Borla Performance Industries recommends that an exhaust shop or professional after market parts installer, who has all the necessary equipment, tools and experienced personnel needed for proper installation, should perform the installation of this system. However, if you decide to perform the installation, we recommend someone should help you. Ensure the installer uses all under car safety precautions including eye protection.

Please take time to read and understand the following...

By installing your Borla Performance exhaust system, you indicate that you have read this document and you agree with the terms stated below.

It is the responsibility of the purchaser to follow all installation instruction guidelines and safety procedures supplied with your Borla Performance exhaust system.

Borla Performance Industries assumes no responsibility for damages occurring from misuse, abuse, improper installation, improper operation, lack of responsible care, or all previously stated reasons resulting from incompatibility with other manufacturer's products and/or systems.

Included with your Borla Performance exhaust system is a warranty card. Please read it carefully before you begin any work on your vehicle. If you should have any questions regarding our warranty policy, installation, or any other matter pertaining to your new Borla Performance exhaust system, please give us a call at the number provided on the warranty card.

Minimum Required Tool List:

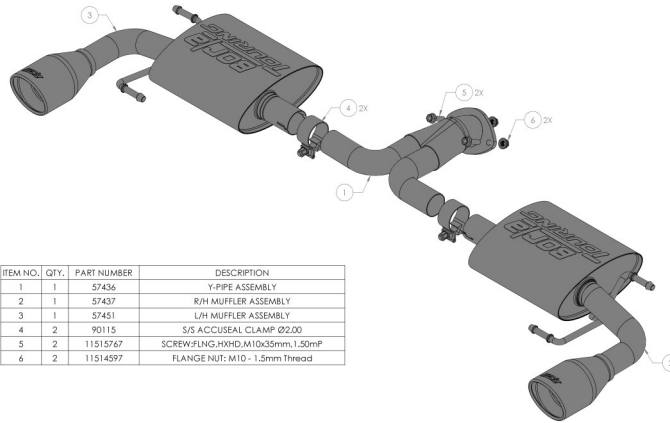
TOOLS:

1. 3/8” drive ratchet
2. 15mm socket
3. 13mm socket
4. Pry bar

SHOP SUPPLIES:

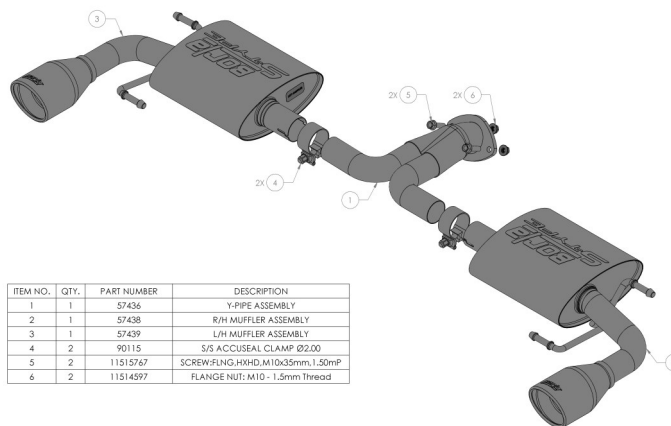
1. Spray lubricant

Borla Performance - Bill of Materials



ITEM NO.	QTY.	PART NUMBER	DESCRIPTION
1	1	57436	Y-PIPE ASSEMBLY
2	1	57437	R/H MUFFLER ASSEMBLY
3	1	57431	L/H MUFFLER ASSEMBLY
4	2	90115	S/S ACCUSEAL CLAMP Ø22.00
5	2	11515767	SCREW-FLNG-HXHD,M10x35mm,1.50mp
6	2	11514597	FLANGE NUT: M10 - 1.5mm Thread

11968



ITEM NO.	QTY.	PART NUMBER	DESCRIPTION
1	1	57436	Y-PIPE ASSEMBLY
2	1	57438	R/H MUFFLER ASSEMBLY
3	1	57439	L/H MUFFLER ASSEMBLY
4	2	90115	S/S ACCUSEAL CLAMP Ø22.00
5	2	11515767	SCREW-FLNG-HXHD,M10x35mm,1.30mp
6	2	11514597	FLANGE NUT: M10 - 1.5mm Thread

11969

Caution!!! *Never work on a hot exhaust system. Serious injury in the form of burns can result if the vehicle has been in use and the exhaust system is hot, allow vehicle to cool for at least 1 hour. Always wear eye protection when working under any vehicle.*

Note: It is our recommendation that you use a hoist or hydraulic lift to facilitate the installation of your new Borla Performance Exhaust System.

Taking all under car safety precautions, lift the vehicle using a hoist or hydraulic lift. Once this has been done, you may begin the removal of your old exhaust system from your vehicle.

Note: Before removing the original exhaust system from your vehicle, please compare the parts you have received with the bill of materials provided on the previous page to assure that you have all the parts necessary for the installation of your new Borla Performance Exhaust System.

Note: With a used vehicle, we suggest a penetrating spray lubricant to be applied liberally to all exhaust fasteners and allowing a significant period of time for the chemical to lubricate the threads before attempting to disassemble.

Original Exhaust System Removal

1. Lubricate all exhaust hangers, rubber isolators, and fasteners.
2. Remove hardware rear muffler assembly flange.
3. Remove the muffler assembly hangers from rubber isolators.
4. Using a muffler stand or additional person, carefully remove the stock exhaust from the vehicle.
5. Original exhaust system removed.

Borla Performance Cat-Back System Installation

1. Orient the components on the shop floor according to the drawing on page 2.
2. Connect the Y-pipe assembly to the stock exhaust outlet.
3. Secure the Y-pipe assembly with the included hardware.
4. Slide a clamp on the inlet of the R/H muffler assembly.
5. Insert the R/H outlet of the Y-pipe assembly into the expanded inlet of the R/H muffler assembly.
6. Insert the R/H muffler assembly hangers into their rubber isolators.
7. Secure the clamp over the expansion, but do not fully tighten it yet.
8. Repeat steps 2-7 for the L/H muffler assembly.
9. Check your exhaust system for proper clearance under the vehicle.
10. Once position has been determined to be correct, tighten clamp bolt to 32-35 ft. lb.
11. Before starting your vehicle, make sure to check all wires, hoses, brake lines, body parts and tires for safe clearance from the exhaust system.
12. Start vehicle and check for any leaks. If any leaks are found, determine the cause (such as loose or incorrectly positioned clamp) and repair as necessary.

WARNING: Use extreme caution during installation. Torque all fasteners according to manufacturer's torque values and tightening sequence. **DO NOT** use air impact tools to tighten fasteners on Borla Performance exhaust systems. Use of such tools may result in bent flanges or gasket contact areas leading to exhaust leaks.

NOTE: When you first start your vehicle after the installation of your new Borla Performance exhaust system, there may be some smoke and fumes coming from the system. This is a protective oil based coating used in the manufacturing of mandrel bent performance exhaust tubing. This is not a problem and will disappear within a very short period of time after the exhaust has reached normal operating temperatures.